

1DH-1T Series

Miniature Surface Mount 1 Form E

PRODUCT DESCRIPTIONS



The 1DH-1T series is Miniature Surface Mount reed relay which achieves a higher contact rating, small mounting area and high reliability using 1FormC configuration, by implementing our well-known 1 Form A + 1 Form B technology(1 Form E). The standard magnetic field feature reduces magnetic interference and is suitable for a high density board. Ideal for ATE, measurement equipment and telecommunications.

- J-Lead Configuration (Axial or Gull-Wing also available, please ask)
- Contact Rating 5W
- Switching Capability 50V
- Reliability 300x10⁶



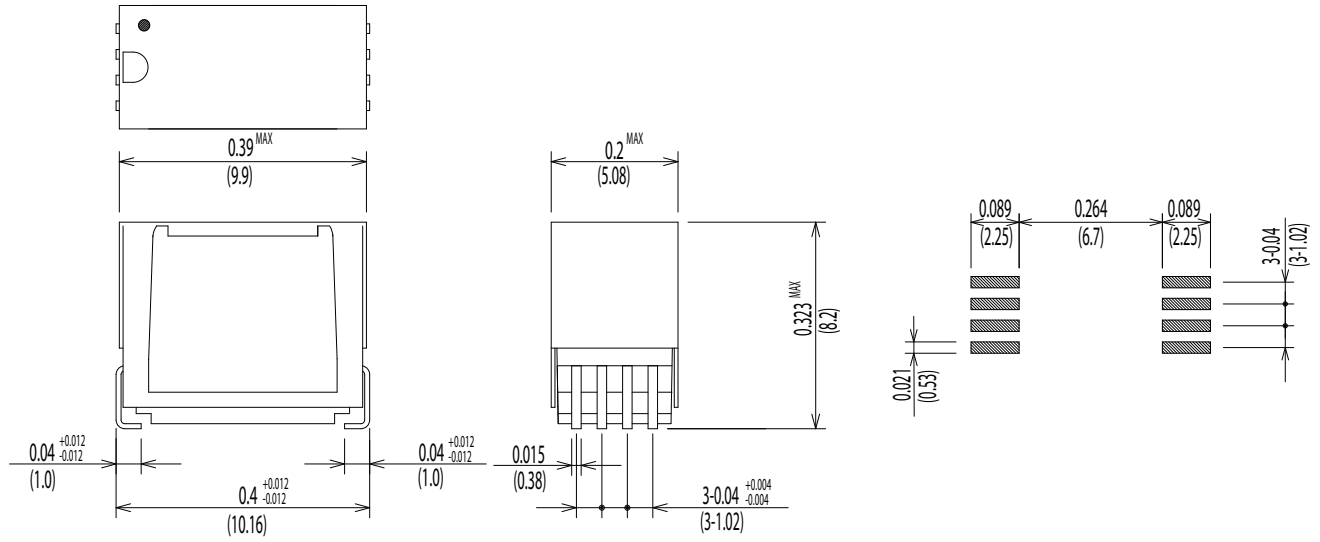
SPECIFICATIONS

1DH-1T Series		1DH-1T53J	1DH-1T13J	1DH-1T23J	
Parameters	Units	1 Form E			Test Conditions
Coil Specifications					
Nominal Coil Voltage	VDC	3.3	5.0	12.0	
Coil Resistance	Ω	70	110	550	±10% @ 20°C
Operate Voltage	VDC Max	2.8	3.75	8.8	@20°C
Release Voltage	VDC Min	0.5	0.7	1.2	@20°C
Contact Ratings					
Switching Voltage	Volts	50			Max DC/Peak AC resistance
Switching Current	Amps	0.2			Max DC/Peak AC resistance
Carry Current	Amps	0.75			Max DC/Peak AC resist(@30°C)
Contact Rating	Watts	5			Max DC/Peak AC resistance
Life Expectancy	x10 ⁶ Cycle	300			@ 1V 10mA
Contact Resistance	mΩ	150			Max initial @ operate voltage
Contact Resistance Stability	mΩ	5.0			Max initial @ operate voltage
Relay Specifications					
Insulation Resistance	Ω Min	10 ¹¹			Between all isolated pins @ 100V 20°C 65%RH
Dielectric Strength (Static)	VDC Min	150			@ nominal coil voltage
	VDC Min	500			Between contacts
	VDC Min	500			Contacts to shield
Operate Time (Including Bounce)	msec Max	0.5			Contacts/shield to coil
	msec Max	0.5			@ nominal coil voltage
Release Time	msec Max	0.5			100 Hz square wave Diode suppression
Measurement Reference Conditions			Environmental Ratings		
Temp: 15°C to 35°C Humidity: 25% to 75%RH Atmospheric Pressure: 860 to 1060hpa			Storage temp: -40°C to +85°C Operate temp: -20°C to +60°C Vibration: 20G's to 2000Hz Shock: 50G's Processing temp: 260°C max for 60sec. dwell time		

Dimensions All Dimensions are inches (mm)

Land Pattern Recommendation

1DH-1T□3J



Schematic <Top View>

