

Coaxial Probe Pins

TCP-53*H/TCP-53*N/TCP-33*H/TCP-33*N

PRODUCT DESCRIPTION

Sanyu's coaxial probe was developed for the inspection of DC-20GHz Range PCBs.

Our coaxial probe features minimized Insertion loss of less than 0.20 dB at 5GHz, less than 0.25 dB at 10GHz and less than 1.00 dB at 20GHz.

In addition, Sanyu's coaxial probe features return loss of over 25dB at 5GHz, over 20dB at 10GHz, and over 12 dB at 20GHz.



TCP-33*N / TCP-33*H



TCP-3*N / TCP-53*H

Right angle types are available in both series. Please select the type from each series in accordance with your application.

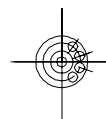
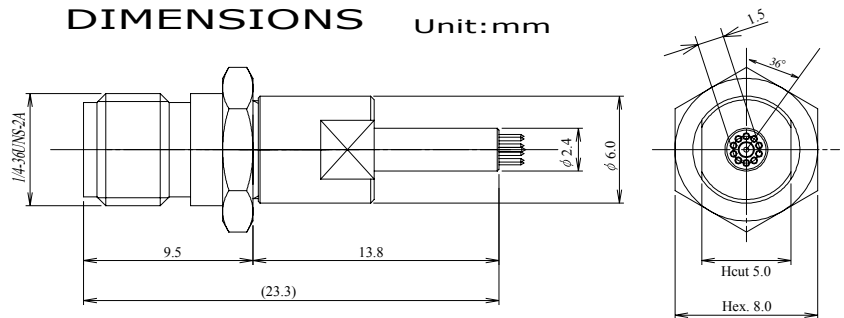
Applications:

- For ATE, especially SOC, VLSI and Analog Test system for high frequency signal control PCB's qualification/evaluation.

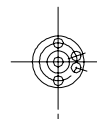
- For PCB's Incoming Test, Characteristics/Function Test, Wave Simulation, CAL Measurement Instrument Equipment, Network Communication of Router, Switches and Servers, Portable/Mobile Communication items and Cell phones.

Specifications	TCP-33*H Series		
Parameters	Test Conditions	Units	TCP-33*H
Frequency range		Hz	DC-20GHz
Impedance		OHM	50
Insert on loss	At 5GHz	dB	0.20 or less
	At 10GHz	dB	0.50 or less
	At 20GHz	dB	1.00 or less
Return loss	At 5GHz	dB	20 or more
	At 10GHz	dB	15 or more
	At 20GHz	dB	12 or more
Connector			SMA-J

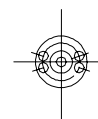
DIMENSIONS Unit:mm



Type 331H

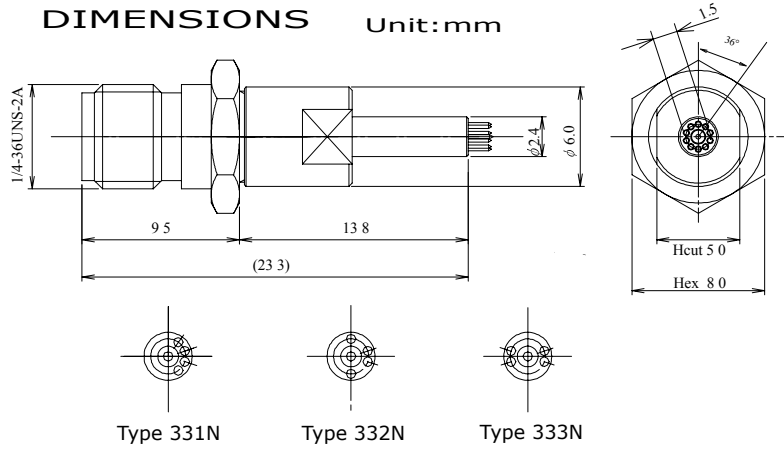


Type 332H

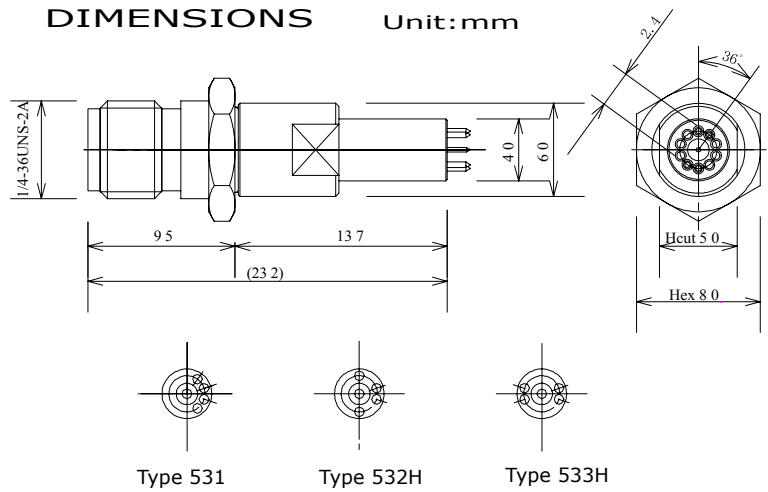


Type 333H

Specifications	TCP-33*N Series		
Parameters	Test Conditions	Units	TCP-33*N
Frequency range		Hz	DC-20GHz
Impedance		OHM	50
Insertion loss	At 5GHz	dB	0.20 or less
	At 10GHz	dB	0.25 or less
Return loss	At 5GHz	dB	25 or more
	At 10GHz	dB	20 or more
Connector			SMA-J



Specifications	TCP-53*H Series		
Parameters	Test Conditions	Units	TCP-53*H
Frequency range		Hz	DC-20GHz
Impedance		OHM	50
Insertion loss	At 5GHz	dB	0.20 or less
	At 10GHz	dB	0.50 or less
	At 20GHz	dB	1.00 or less
Return loss	At 5GHz	dB	20 or more
	At 10GHz	dB	15 or more
	At 20GHz	dB	10 or more
Connector			SMA-J



Specifications	TCP-53*N Series		
Parameters	Test Conditions	Units	TCP-53*N
Frequency range		Hz	DC-10GHz
Impedance		OHM	50
Insertion loss	At 5GHz	dB	0.20 or less
	At 10GHz	dB	0.25 or less
Return loss	At 5GHz	dB	25 or more
	At 10GHz	dB	20 or more
Connector			SMA-J

