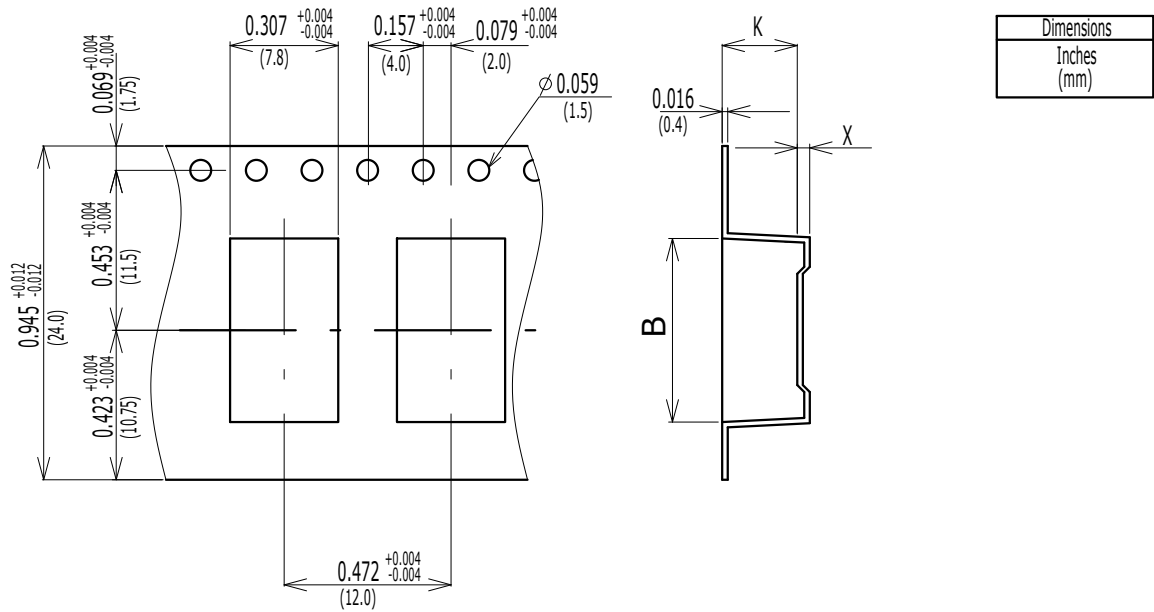


# 3D/3E-□5G/GR/J

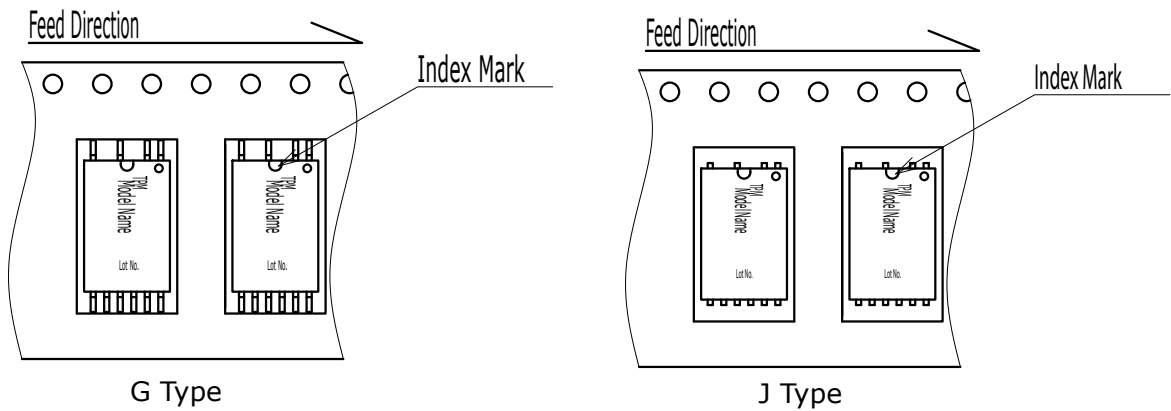
## Tape shape & dimensions



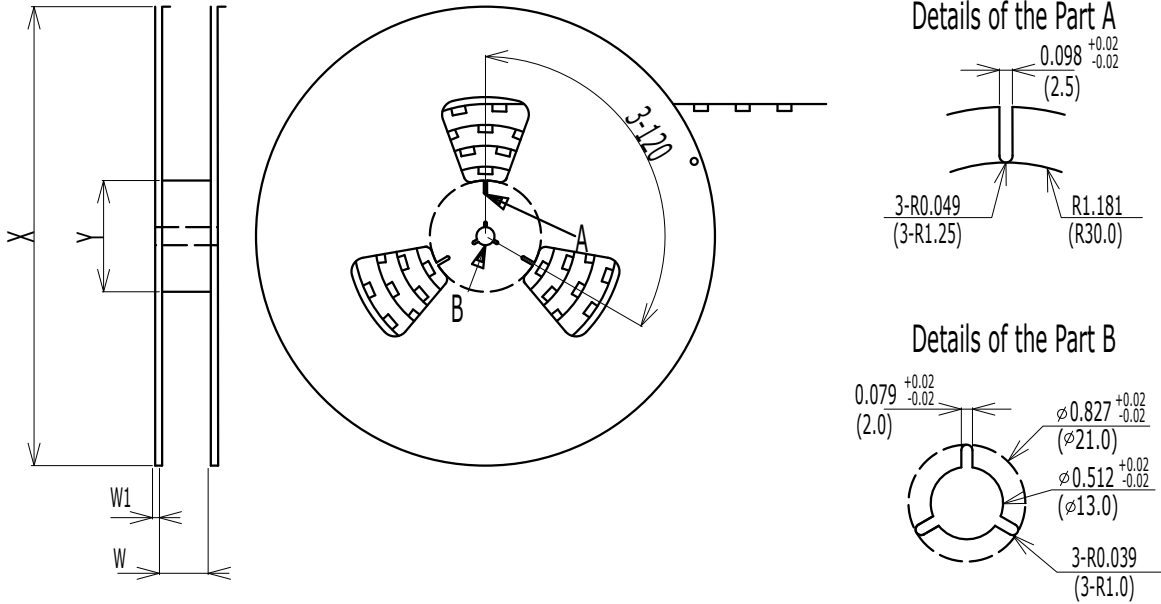
Dimensions	
Inches	(mm)

Package type	Unit	B		K		X
3D-□5GR	Inch (mm)	0.52	+0.004	0.205	+0.004	0.02
3E-□5G		(13.2)	-0.004	(5.2)	-0.004	
3D-□5J	Inch (mm)	0.433	+0.004	0.189	+0.004	0.043
3E-□5J		(11.0)		(4.8)		

## Device mounting directions



# Reel Shape & Dimensions



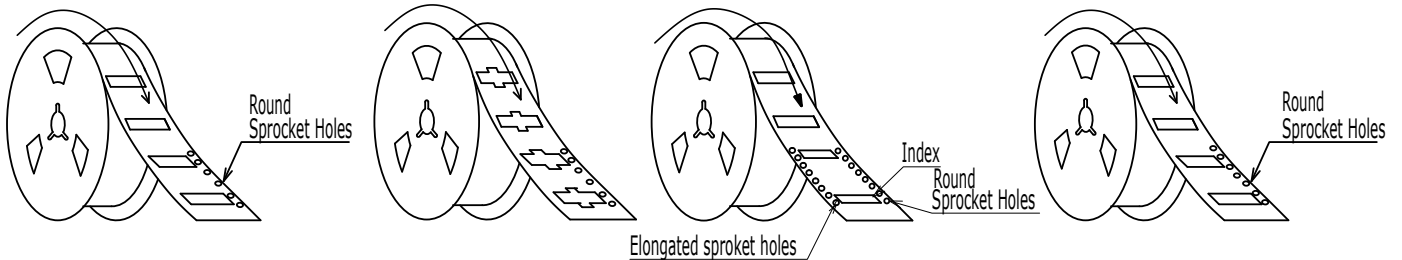
Package Type	X	Y	W	W1	Quantity
1D/1E Series	12.992 <sup>+0.079</sup> / <sub>-0.079</sub> (330)	3.15 <sup>+0.02</sup> / <sub>-0.02</sub> (80)	1.0 <sup>+0.035</sup> / <sub>-0.043</sub> (25.4)	0.118 (3.0)	1000
1D-16A					1000
3D/3E Series					500
9D/9E Series			1000		
10D/10E-1A□2G			1.28 <sup>+0.008</sup> / <sub>-0.008</sub> (32.5)		500
17D/17E-1A□2J-01			1.0 <sup>+0.035</sup> / <sub>-0.043</sub> (25.4)		500

1D/E, 3D/E, 9D/E Series

1D-16A

10D/10E-1Ax2G

17D/17E-1Ax2JG-01



Packaging conforms to EIA standard EIA-481-2 or EIA-481-3.