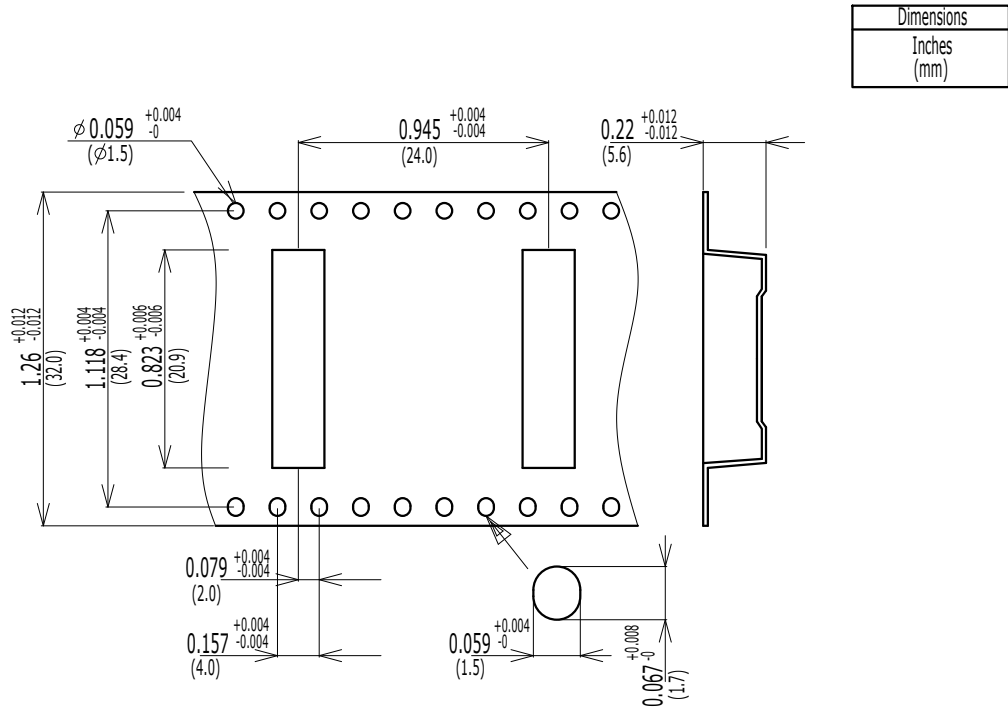
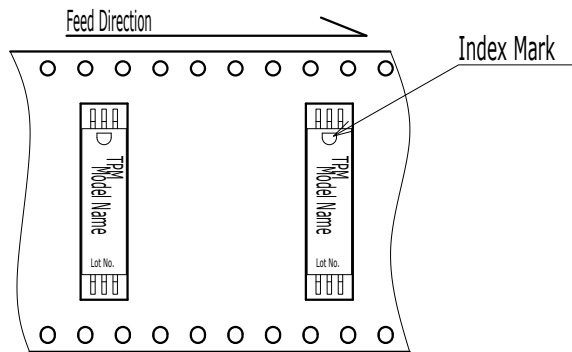


10D/10E-1A □2G Type

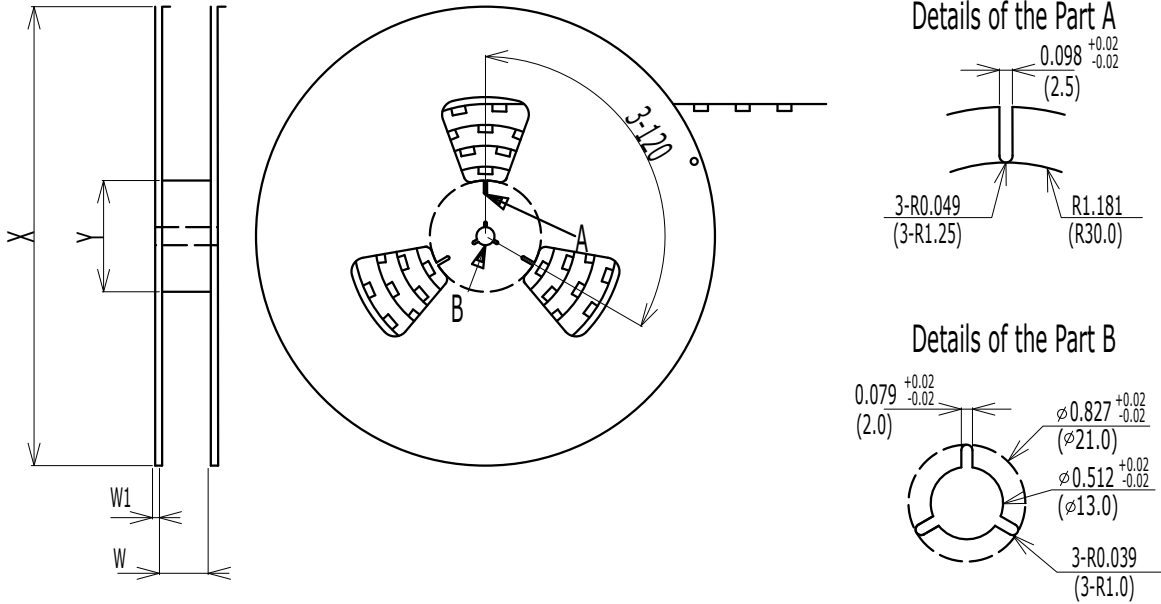
Tape shape & dimensions



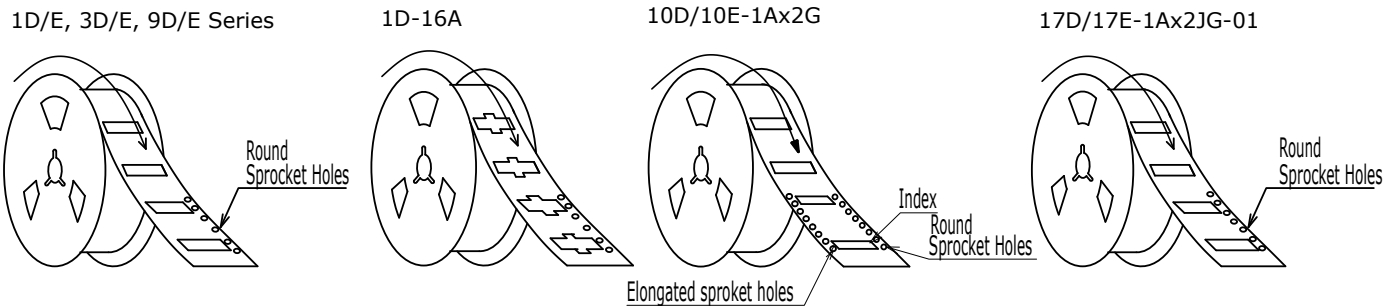
Device mounting directions



Reel Shape & Dimensions



Package Type	X	Y	W	W1	Quantity
1D/1E Series	12.992 ^{+0.079} / _{-0.079} (330)	3.15 ^{+0.02} / _{-0.02} (80)	1.0 ^{+0.035} / _{-0.043} (25.4)	0.118 (3.0)	1000
1D-16A					1000
3D/3E Series					500
9D/9E Series			1000		
10D/10E-1A□2G			1.28 ^{+0.008} / _{-0.008} (32.5)		500
17D/17E-1A□2J-01			1.0 ^{+0.035} / _{-0.043} (25.4)		500



Packaging conforms to EIA standard EIA-481-2 or EIA-481-3.