

TO Package Socket Series

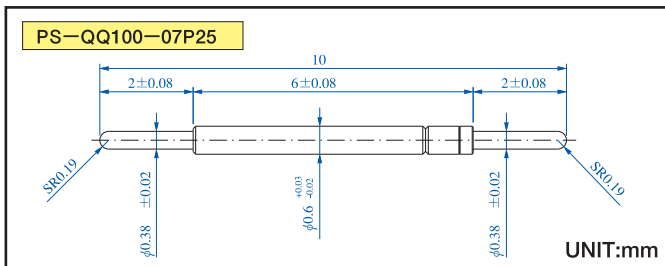
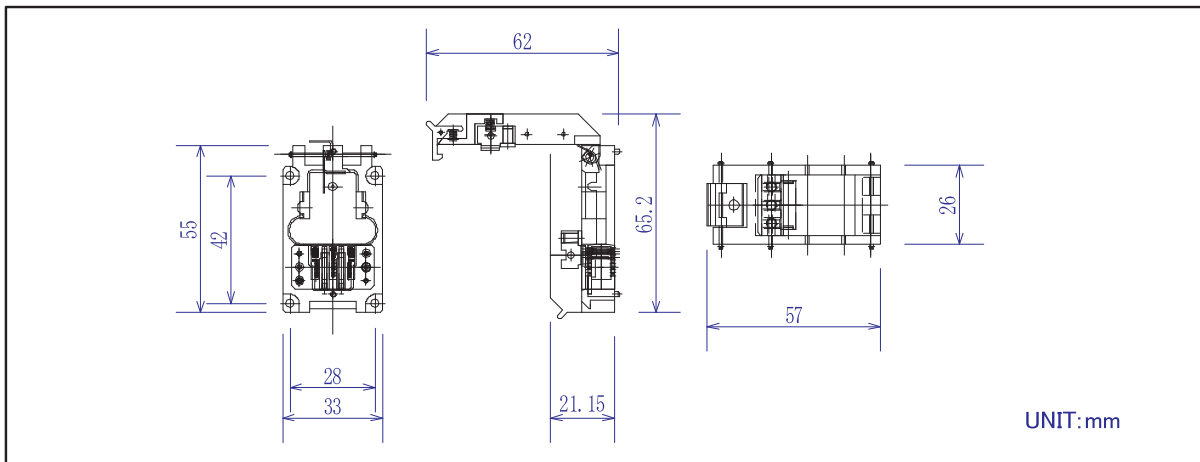
PRODUCT DESCRIPTION



TO3 and TO220 sockets were designed as a full product line featuring high performance for most applications including high-power and high-current applications. Depending on customer application, this TO Package Socket Series can operate low contact resistance, and can reliable up to 100,000 operations. Burn-in test capable.

SPECIFICATIONS

TO Package Socket Series		
Parameters	Unit	
Physical properties		
Package Size		TO3 package (JEDEC standard) *1 TO220 package (JEDEC standard) *1
Housing Body Type	mm x mm	55 x 33
Probe		PS-QQ100-07P25
Holding Type		Clam shell
Mechanical life	cycle	100,000
Electrical properties		
Contact Resistance	mΩ	100
Carry current	A	2 /pin, pulse current *2
Other		
		Burn-In test (240°C capable)



Socket for TO3

Socket for TO220



*1 Please contact us for other types of package

*2 Capable to configure multiple pin for current use. (example: 2A+2A=4Amps)