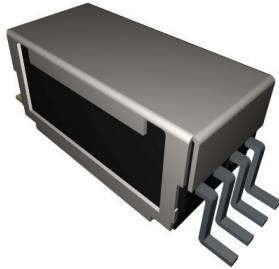


# 1EH Series

## Miniature Surface Mount



### PRODUCT DESCRIPTIONS

As a standard for Sanyu SMT relays, the 1EH Series has been widely accepted by the ATE, telecommunications, and instrument markets. A variety of package styles such as Axial, Gill-Wing and J-Lead are produced to best suit your application needs.

- RF Performance up to 4GHz
- Impedance 50Ω
- UL Certified

### SPECIFICATIONS

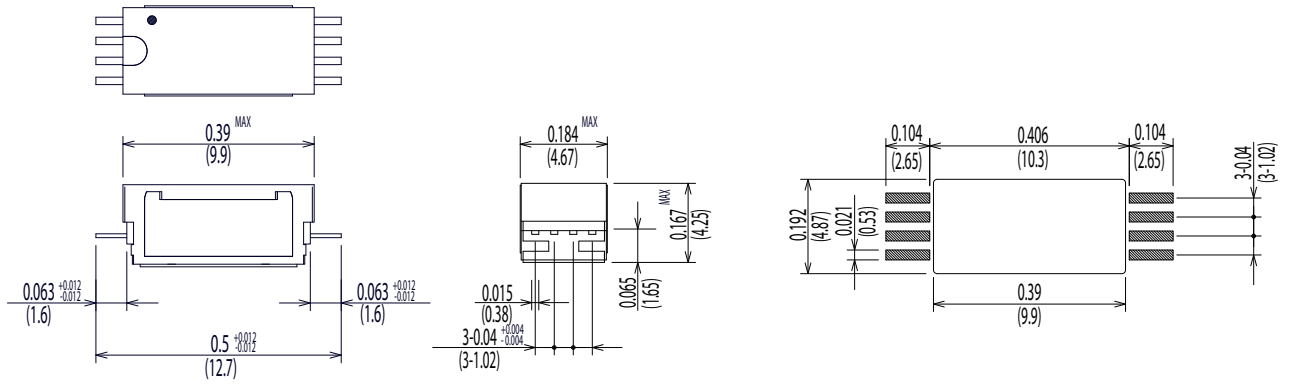


| 1EH Series   |                        | 1EH-54A  | 1EH-14A | 1EH-24A |  |
|--|------------------------|--|---------|---------|--|
|  |                        | 1EH-54G  | 1EH-14G | 1EH-24G |  |
|  |                        | 1EH-54J  | 1EH-14J | 1EH-24J |  |
| Parameters   | Units                  | 1 Form A   |         |         | Test Conditions  |
| <b>Coil Specifications</b>   |                        |  |         |         |  |
| Nominal Coil Voltage   | VDC                    | 3.3  | 5.0     | 12.0    | ±10% @ 20°C<br>@ 20°C<br>@ 20°C  |
| Coil Resistance  | Ω                      | 80   | 150     | 500     |  |
| Operate Voltage  | VDC Max                | 2.8  | 3.75    | 8.8     |  |
| Release Voltage  | VDC Min                | 0.5  | 0.7     | 1.2     |  |
| <b>Contact Ratings</b>   |                        |  |         |         |  |
| Switching Voltage  | Volts                  | 100  |         |         | Max DC/Peak AC resistance<br>Max DC/Peak AC resistance<br>Max DC/Peak AC resistance(@ 30°C )<br>Max DC/Peak AC resistance<br>@ 1V 10mA<br>Max initial @ operate voltage<br>Max initial @ operate voltage |
| Switching Current  | Amps                   | 0.5  |         |         |  |
| Carry Current  | Amps                   | 1.0  |         |         |  |
| Contact Rating   | Watts                  | 10   |         |         |  |
| Life Expectancy  | x10 <sup>6</sup> Cycle | 300  |         |         |  |
| Contact Resistance   | mΩ                     | 150  |         |         |  |
| Contact Resistance Stability   | mΩ                     | 5.0  |         |         |  |
| <b>Relay Specifications</b>  |                        |  |         |         |  |
| Insulation Resistance  | Ω Min                  | 10 <sup>11</sup>   |         |         | Between all isolated pins<br>@ 100V 20°C 65%RH   |
| Dielectric Strength(Static)  | VDC Min                | 200  |         |         | Between contacts<br>Contacts to shield<br>Contacts/Shield to coil  |
|  | VDC Min                | 250  |         |         |  |
|  | VDC Min                | 250  |         |         |  |
| Operate Time<br>(Including Bounce)   | msec Max               | 0.3  |         |         | @ nominal coil voltage<br>100 Hz square wave<br>Diode suppression  |
| Release Time   | msec Max               | 0.05   |         |         |  |
| <b>Measurement Reference Conditions</b>  |                        | <b>Environmental Ratings</b>   |         |         |  |
| Temp: 15°C to 35°C<br>Humidity: 25% to 75%RH<br>Atmospheric Pressure: 860 to 1060hpa |                        | Storage temp: -40°C to +85°C<br>Operate temp: -20°C to +80°C<br>Vibration: 20G's to 2000Hz<br>Shock: 50G's<br>Processing temp: 260°C max for 60sec. dwell time |         |         |  |

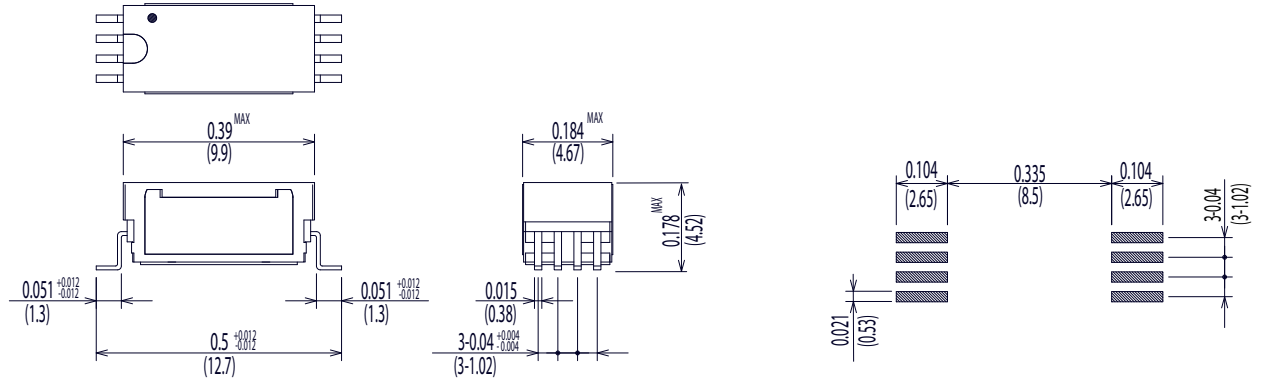
**Dimensions** All Dimensions are inches (mm)

**Land Pattern Recommendation**

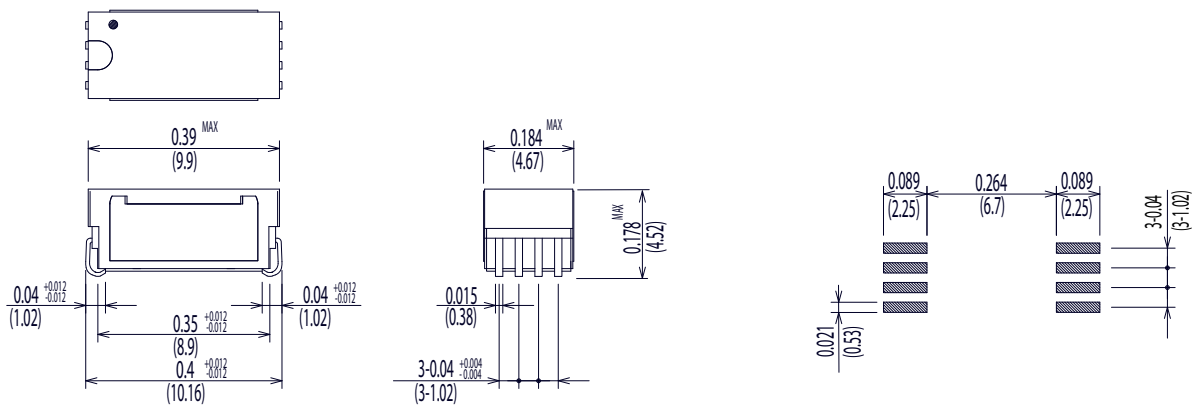
**1EH-54A/1EH-14A/1EH-24A**



**1EH-54G/1EH-14G/1EH-24G**



**1EH-54J/1EH-14J/1EH-24J**



**Schematic <Top View>**

