

3EH 2 Form A Series

Surface Mount



PRODUCT DESCRIPTIONS

In order to meet high density market demands, small package 2 Form A SMT relay was released, featured with a single coil drive. This series achieved a small mounting area per contact, and widely accepted by applications requiring high density tree circuit.

SPECIFICATIONS

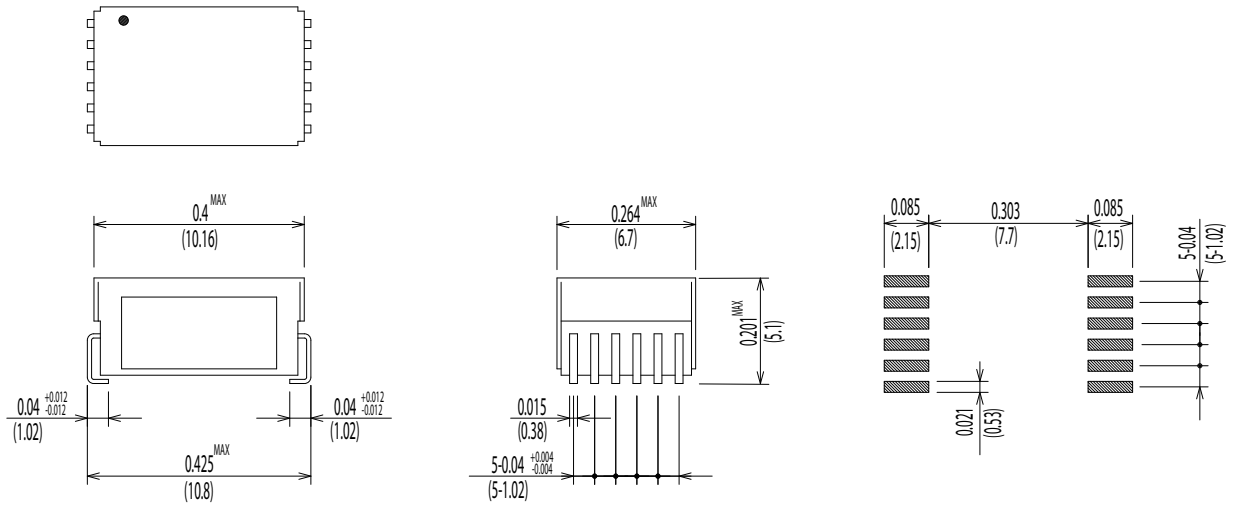


3EH 2 Form A		3EH-2A56J	3EH-2A16J	3EH-2A26J	
Parameters	Units	2 Form A			Test Conditions
Coil Specifications					
Nominal Coil Voltage	VDC	3.3	5.0	12.0	
Coil Resistance	Ω	70	110	550	$\pm 10\%$ @ 20°C
Operate Voltage	VDC Max	2.8	3.75	8.8	@ 20°C
Release Voltage	VDC Min	0.5	0.7	1.2	@ 20°C
Contact Ratings					
Switching Voltage	Volts	100			Max DC/Peak AC resistance
Switching Current	Amps	0.5			Max DC/Peak AC resistance
Carry Current	Amps	1.0			Max DC/Peak AC resistance (@30°C)
Contact Rating	Watts	10			Max DC/Peak AC resistance
Life Expectancy	$\times 10^6$ Cycle	300			@ 1V 10mA
Contact Resistance	m Ω	150			Max initial @ operate voltage
Contact Resistance Stability	m Ω	5.0			Max initial @ operate voltage
Relay Specifications					
Insulation Resistance	Ω Min	10 ¹¹			@ 100V 20°C 65%RH
	Ω Min	10 ¹¹			Between contacts
	Ω Min	10 ¹¹			Contacts to shield
Dielectric Strength(Static)	VDC Min	200			Contacts to coil
	VDC Min	250			(Except Shield to coil)
	VDC Min	250			Between contacts
Operate Time (Including Bounce)	msec Max	0.5			Contacts to shield
Release Time	msec Max	0.5			Contacts to coil
Diode suppression					
Measurement Reference Conditions			Environmental Ratings		
Temp: 15°C to 35°C Humidity: 25% to 75%RH Atmospheric Pressure: 860 to 1060hpa			Storage temp: -40°C to +85°C Operate temp: -20°C to +80°C Vibration: 20G's to 2000Hz Shock: 50G's Processing temp: 260°C max for 60sec. dwell time		

Dimensions All Dimensions are inches (mm)

Land Pattern Recommendation

3EH-2A16J/3EH-2A26J/3EH-2A56J



Schematic <Top View>

