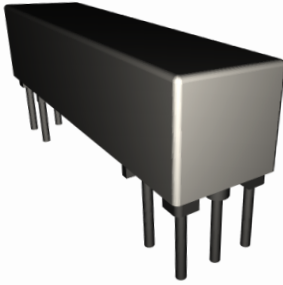


# 20D 2 Form A Series

PCB Mount



## PRODUCT DESCRIPTIONS

The 20D-2A Series comes in Form A configuration, and has been on the market for more than 25 years. This series is available with different electrical performances tuned to your specific requirements.

## SPECIFICATIONS



20D 2 Form A Series		20D-2A□2□1		
Parameters	Units	2 Form A		Test Conditions
<b>Coil Specifications</b>				
Nominal Coil Voltage	VDC	5.0	12.0	
Coil Resistance	Ω	150	600	±10% @ 20°C
Operate Voltage	VDC Max	3.75	8.8	@ 20°C
Release Voltage	VDC Min	0.7	1.2	@ 20°C
<b>Contact Ratings</b>				
Switching Voltage	Volts	100		Max DC/Peak AC resistance
Switching Current	Amps	0.5		Max DC/Peak AC resistance
Carry Current	Amps	1.0		Max DC/Peak AC resistance
Contact Rating	Watts	10		Max DC/Peak AC resistance
Life Expectancy	x10 <sup>6</sup> Cycle	1000		@ 1V 10mA
Contact Resistance	mΩ	150		Max initial @ operate voltage
Contact Resistance Stability	mΩ	5.0		Max initial @ operate voltage
<b>Relay Specifications</b>				
Insulation Resistance	Ω Min	10 <sup>11</sup>		Between all isolated pins @ 100V 20°C 65%RH
Dielectric Strength	VDC Min	200		Between contacts
	VDC Min	500		Contacts to shield
	VDC Min	500		Contacts/Shield to coil
Operate Time (Including Bounce)	msec Max	0.5		@ nominal coil voltage 100 Hz square wave
Release Time	msec Max	0.5		Diode suppression
<b>Measurement Reference Conditions</b>			<b>Environmental Ratings</b>	
Temp: 15°C to 35°C Humidity: 25% to 75%RH Atmospheric Pressure: 860 to 1060hpa			Storage temp: -40°C to +85°C Operate temp: -20°C to +80°C Vibration: 20G's to 2000Hz Shock: 50G's	

### Ordering Code:

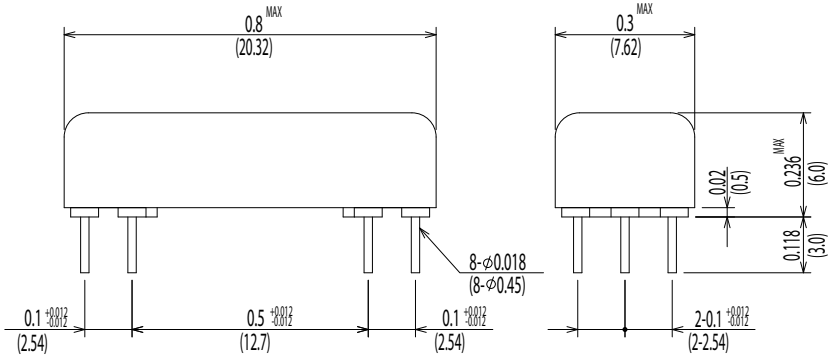
#### 20D-2A□1)2□2)1

□1)=1 (5.0VDC), 2 (12.0VDC)

□2)=D (Diode), N (No diode)

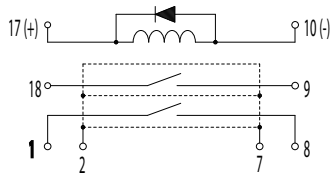
**Dimensions All Dimensions are inches (mm)**

**20D-2A □ 2D1 / 20D-2A □ 2N1**



**Schematic <Top View>**

**20D-2A □ 2D1**



**20D-2A □ 2N1**

