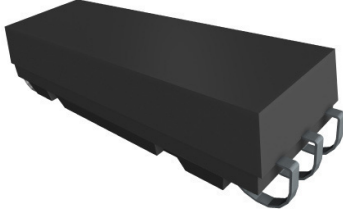


12EH Series

Surface Mount



PRODUCT DESCRIPTIONS

The 12EH Series is one of the Sanyu 30 Watt SMT relays that features high insulation resistance, 50Ω impedance and high reliability. This series has been widely accepted by the ATE, telecommunications and instrument markets.

SPECIFICATIONS

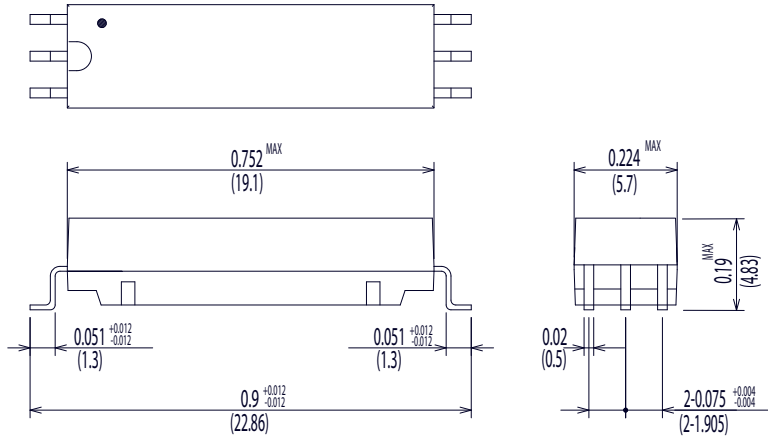


12EH Series		12EH-1A12G	12EH-1A22G	
		12EH-1A12J	12EH-1A22J	
Parameters	Units	1 Form A		Test Conditions
Coil Specifications				
Nominal Coil Voltage	VDC	5.0	12.0	±10% @ 20°C @ 20°C @ 20°C
Coil Resistance	Ω	160	650	
Operate Voltage	VDC Max	3.75	8.8	
Release Voltage	VDC Min	0.7	1.2	
Contact Ratings				
Switching Voltage	Volts	200		Max DC/Peak AC resistance
Switching Current	Amps	0.5		Max DC/Peak AC resistance
Carry Current	Amps	1.3		Max DC/Peak AC resistance
Contact Rating	Watts	30		Max DC/Peak AC resistance
Life Expectancy	x10 ⁶ Cycle	1500		@ 1V 10mA
Contact Resistance	mΩ	150		Max initial @ operate voltage
Contact Resistance Stability	mΩ	5.0		Max initial @ operate voltage
Relay Specifications				
Insulation Resistance	Ω Min	10 ¹²		Between all isolated pins @ 100V 20°C 65%RH
Dielectric Strength	VDC Min	300		Between contacts
	VDC Min	1200		Contacts to shield
	VDC Min	1200		Contacts/Shield to coil
Operate Time (Including Bounce)	msec Max	0.35		@ nominal coil voltage 100 Hz square wave
Release Time	msec Max	0.25		Diode suppression
Measurement Reference Conditions		Environmental Ratings		
Temp: 15°C to 35°C Humidity: 25% to 75%RH Atmospheric Pressure: 860 to 1060hpa		Storage temp: -40°C to +85°C Operate temp: -20°C to +80°C Vibration: 20G's to 2000Hz Shock: 50G's Processing temp: 260°C max for 60sec. dwell time		

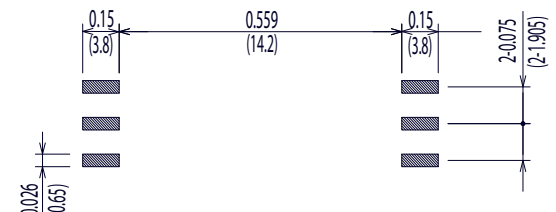
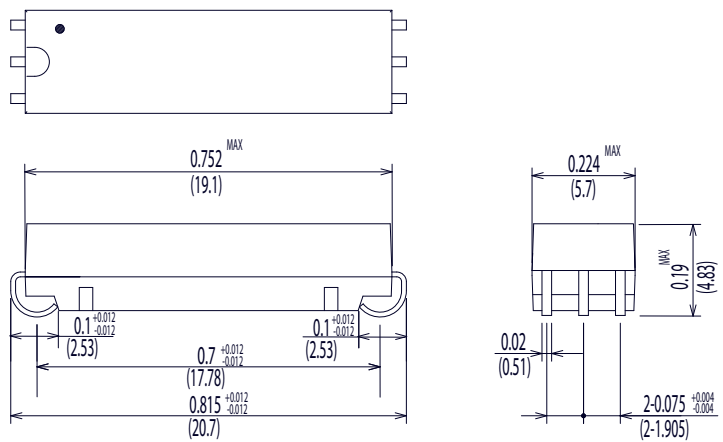
Dimensions All Dimensions are inches (mm)

Land Pattern Recommendation

12EH-1A12G/12EH-1A22G



12EH-1A12J/12EH-1A22J



Schematic <Top View>

