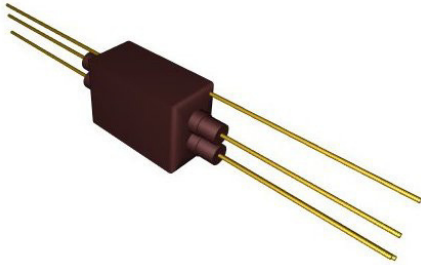


90W 2 Form A High Voltage Series

High Insulation Resistance
/High Voltage



PRODUCT DESCRIPTIONS

The 90W 2 Form A High Voltage series is added. In 2 Form A package, maintain high voltage and low leakage switching characteristics. This 90W mercury wetted reed relay features insulation resistance 10^{13} ohms with 3.5KV dielectric strength(2KV switching voltage). With its flexible pin connection length, this series has been widely used in DC characteristic verification.

SPECIFICATIONS

90W-60 2A Series		90W-2A□1N3-60			
Parameters	Units	2 Form A			Test Conditions
Coil Specifications					
Nominal Coil Voltage	VDC	5.0	12.0	24.0	±10% @ 20°C @ 20°C @ 20°C
Coil Resistance	Ω	50	300	1200	
Operate Voltage	VDC Max	3.75	8.8	17.6	
Release Voltage	VDC Min	0.7	1.2	2.4	
Contact Ratings					
Switching Voltage	Volts	2000			Max DC/Peak AC resistance
Switching Current	Amps	1.0			Max DC/Peak AC resistance
Carry Current	Amps	5.7			Max DC/Peak AC resistance(@30°C)
	Amps	4.3			Max DC/Peak AC resistance(@60°C)
Contact Rating	Watts	50			Max DC/Peak AC resistance
Life Expectancy	x10 ⁶ Cycle	1000			@ 1V 10mA
Contact Resistance	mΩ	80			Max initial @ operate voltage
Contact Resistance Stability	mΩ	2.0			Max initial @ operate voltage
Relay Specifications					
Insulation Resistance	Ω Min	10 ¹³			@ 100V 20°C 65%RH
	Ω Min	10 ¹³			Between contacts
	Ω Min	10 ¹³			Contacts to shield
Dielectric Strength(Static)	VDC Min	3500			Contacts to coil
	VDC Min	3500			(Except shield to coil)
	VDC Min	3500			Between contacts
Operate Time (No Bounce)	msec Max	3.0			Contacts to shield
Release Time	msec Max	3.0			Contacts to coil
					(Except shield to coil)
					@ nominal coil voltage
					10~50Hz square wave
					Diode suppression
Measurement Reference Conditions			Environmental Ratings		
Temp: 15°C to 35°C Humidity: 25% to 75%RH Atmospheric Pressure: 860 to 1060hpa			Storage temp: -20°C to +80°C Operate temp: -10°C to +60°C Vibration: 20G's to 2000Hz Shock: 50G's		

Ordering Code:

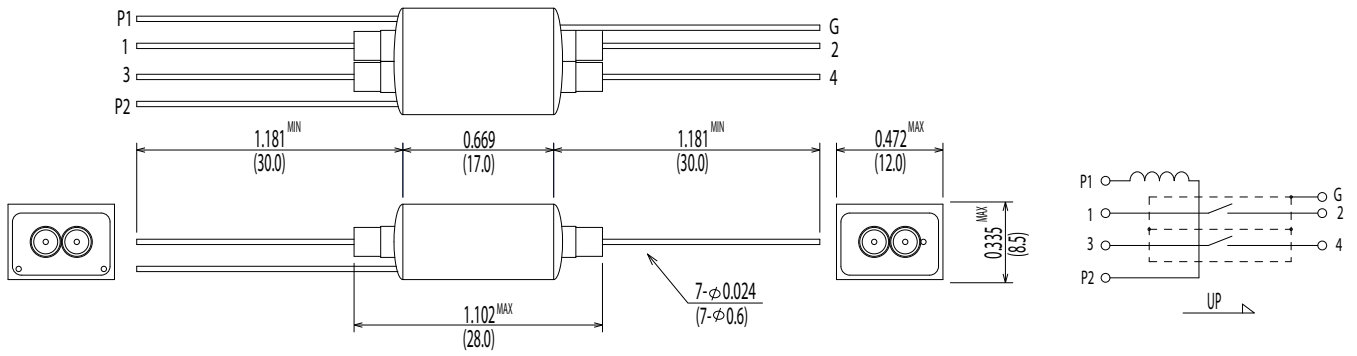
90W-2A□1N3-60

□=1(5.0VDC), 2(12.0VDC), 3(24.0VDC)

Dimensions All Dimensions are inches (mm)

Schematic <Top View>

90W-2A□1N3-60



Note: Hg wet contacts must be mounted within 30° of vertical plane.